



DO04000 - POINT OF USE LIQUID WATER (CONDENSATE) REMOVER

EXCEPTIONAL COMPRESSED AIR QUALITY GUARANTEED

Dropout® will dramatically improve compressed air systems throughout the industry. The unique design allows it to efficiently remove >99.9999% of liquid water and remove other contaminants down to 1 micron.



DO04000

PRODUCT OVERVIEW

- 141 cfm rated flow rate
*See technical data on page 2
 - 15 bar(g) maximum pressure
 - 1" BSPT inlet/outlet connection
 - 1 micron particulate removal
 - SS304 SS316 or Aluminium
- ...see page 2 for detailed product specification

FEATURES

- ISO 12500 - Part 3 & 4
- >99.9999% Liquid water removal efficiency
- No consumables
- No increase in pressure drop caused by blocked filters
- No mains power
- Significantly lower life cycle costs
- Easy to install
- Instantaneous recovery from pulsed flows or stop start
- Virtually maintenance free

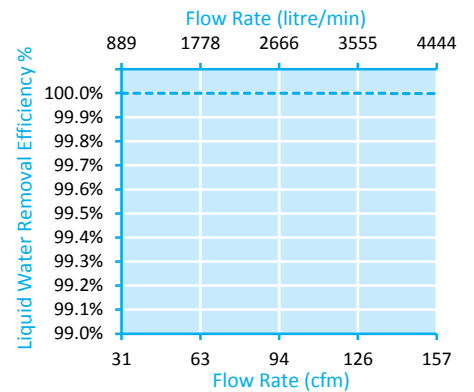
All the protection you need in one device instead of having to purchase and maintain a multiplicity of different products.

Save money, save energy, save time.

For additional benefits we recommend you fit a Dropout® Auto-drain. Please see our website or contact us for further information.

>99.9999%

LIQUID WATER REMOVAL



COMPACT

The DO04000 is a 'Compact' Dropout® unit and is used as an in-line point of use liquid water separator and contaminant remover. It is used in a wide range of applications and flow rates:

- Superior protection for your application at point of use
- Stand-alone replacement for water separators and/or coalescing filters
- Protection upstream of refrigerant & desiccant dryers

Unlike traditional cyclonic separators which rely on constant and stable flows, Dropout® has the ability to maintain its performance levels during start up where it reaches optimum performance in a fraction of a second.

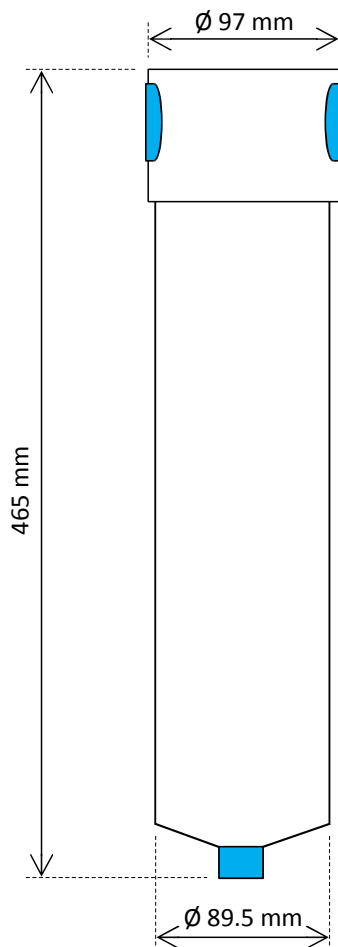
TECHNICAL DATA

Operational Specification	
Flow rate for a 7 bar(g) system min - max (rated)	0.06 - 480 m ³ /hr (240)
	0.04 - 282 cfm (141)
	1 - 8000 litre/min (4000)
Operating pressure	1 - 15 bar(g)
	15 - 217 psi(g)
Operating temperature	>0 to +80 °C
	>32 to 176 °F
Pressure drop at rated flow rate at 7 barg	0.36bar
	5.22psi

Mechanical Specification	
Product code	DO04000
Water storage	440 cc
Inlet/Outlet connection	1" BSPT/NPT
Drain connection	1/2" (m) BSPT
Weight	5.21 kg
Product dimensions	465 mm x 89.5 mm Ø
Particulate removal	1 micron
Material Options (housing)	SS304 SS316 or Aluminium
Material (internal)	ABS

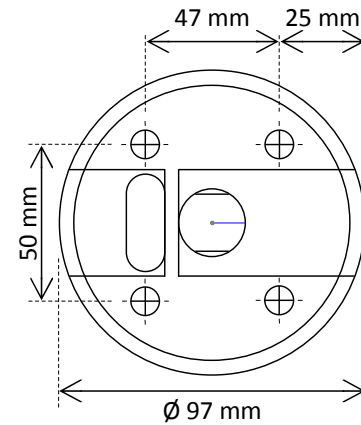
	Correction Factors														
Line Pressure (psig)	14.5	29.0	43.5	58.0	72.5	87.0	101.5	116.0	130.5	145.0	159.5	174.0	188.5	203.1	217.6
Line Pressure (barg)	1	2	3	4	5	6	7	8	9	10	11	12	13	14	15
Correction Factor	0.53	0.63	0.73	0.79	0.87	0.94	1.00	1.09	1.17	1.25	1.33	1.40	1.48	1.56	1.64

Product Line Drawing*



*Not to scale

Line Drawing for Mounting*



Screws M8 x 10 mm

*Not to scale

Box Contents	QTY
DO04000 Unit	1
Manual drain valve	1
Mounting bracket	1
Screws M8 x 10 mm	4
Bolts	4
Manual	1

Auto-drains available contact us or visit our website